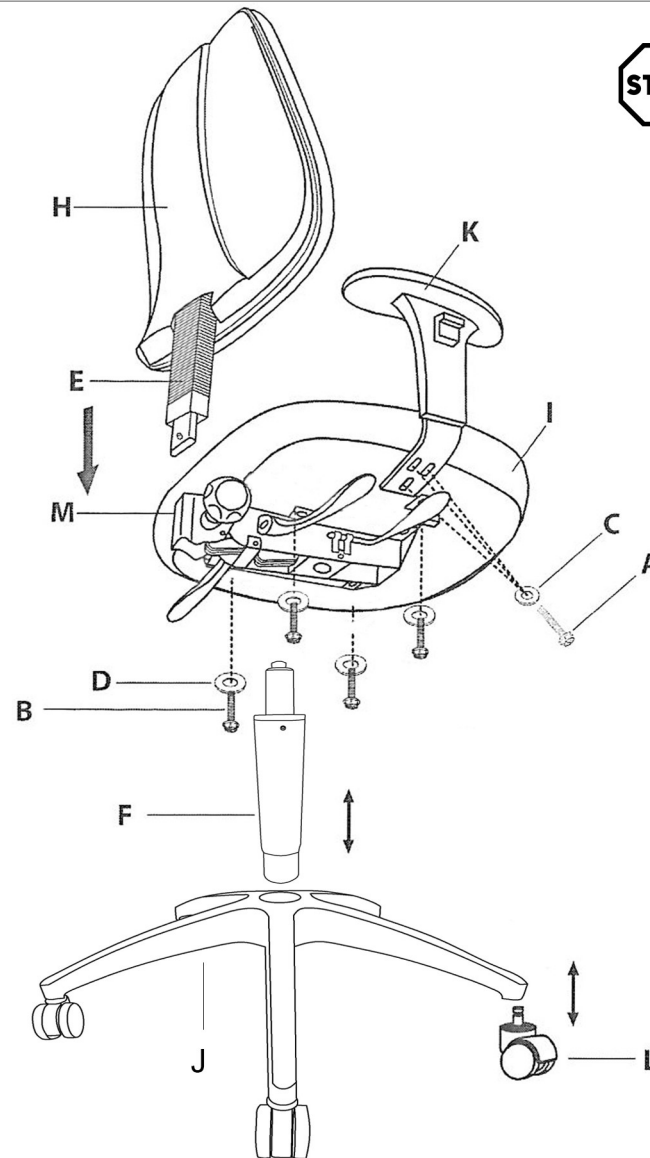
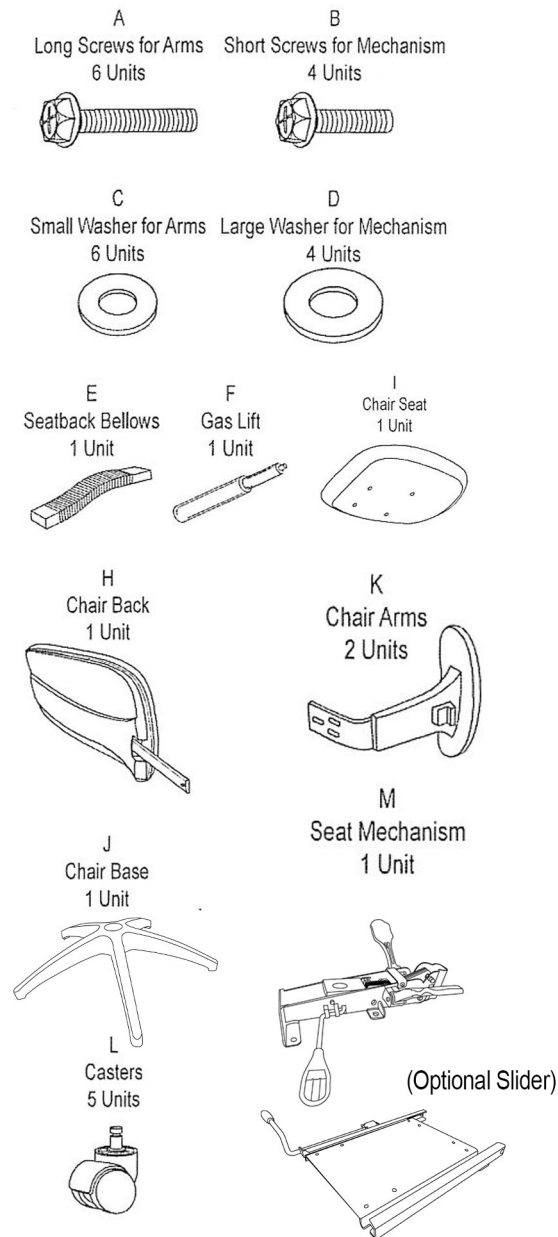


# Instruction Sheet (Optional Slider in Seat Mechanism)

## Parts Listing



## Assembly Instructions

Tools needed : Phillips Head Screwdriver

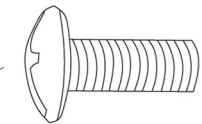
**Please read all instructions before assembly.**

Step 1 : Insert Casters (L) into chair base (J) .

Step 2 : Insert Gas Lift (F) into chair base (J).

Step 3 : Place chair seat (I) upside down on flat surface and align holes in bottom of seat with four holes in Seat Mechanism (M). Attach Seat Mechanism (M) using short screws (B) and large washers (D) Tighten the screwdriver.

**Note :** Slider is an optional item, when attaching slider additionally, users must align holes in bottom of seat and change to use short screws (B) and then put Mechanism (M) on slider, aligning holes of slider with below Truss Head Screws X 4 units without Large Washer (D)



**Truss Head Screws for Seat Mechanism (only under conditions of attaching slider ) x 4 Units**

Step 4 : Attach chair arms (K) to chair seat (I) using long screws (A) and small washers (C). Tighten with screwdriver.

Step 5 : Place seatback bellows (E) over attached bar on chair back (H). Insert attached bar on chair back (H) into hole in back of Seat Mechanism (M). Tighten the hand & knob on the Seat Mechanism (M) until chair back (H) is secure.

Step 6 : Place chair seat (I) onto chair base (J) by inserting top of gas lift (F) into the hole in the middle of the Seat Mechanism (M), push down on chair seat (I) to secure to chair base (J).

**WEIGHT CAPACITY: 250 lbs.**

### Assembly Notes:

During assembly, hand tighten screws. Only when all screws are in place, you may then tighten all screws completely.

### CAUTION:

1. Do not use this chair as a step ladder.
2. Check for loose screws and tighten them every 6 months.